

# IZAR RADIO COMPACT INDUCTIVE

RADIO | RADIO MODULE

**DIEHL**  
Metering



## APPLICATION

Compact radio module with inductive sensor for Diehl Metering modular meters. Usable for optimum reading with difficult access.

## FEATURES

- ▶ Simple installation
- ▶ Transmission of meter data by radio to mobile or stationary receivers
- ▶ For Diehl Metering modular meters
- ▶ Secured against magnetic manipulation
- ▶ On-site-programming using IrDa interface
- ▶ Battery powered with a lifetime of up to 15 years

# IZAR RADIO COMPACT INDUCTIVE

RADIO | RADIO MODULE

## PRINCIPLE OF OPERATION

The IZAR RADIO COMPACT I consists of an electronic unit, which receives and saves meter information in the form of pulses. The radio module sends the meter number, meter reading and various items of operating information every 8 sec. The data can be received by a mobile or static receiver.

Mobile: The IZAR@MOBILE 2 TABLET collects the data in walk-by or drive-by mode in conjunction with the IZAR RECEIVER BT. The data for the reading route is sent directly to the central PC.

Static: An IZAR RECEIVER (M-BUS, LAN, WLAN, GPRS) collects and saves the data and transfers it cyclically to a control centre (e.g. IZAR CENTER, web server).

## TECHNICAL DATA

IZAR RADIO COMPACT INDUCTIVE	
Versions / Frequency band	868,95 or 434,475 MHz
Modulation	FSK
Transmission power	16 mW
Transmission mode	unidirectional
Radio range	Up to 500 m depending on ambient conditions
Approval in compliance with standard	EN 60950 Information technology equipment - Safety - Part 1: General requirements, EN13757-4
Power supply	Lithium battery 3.6 V
Battery lifetime	Up to 15 years

## AMBIENT CONDITIONS

IZAR RADIO COMPACT INDUCTIVE	
Operating temperature	°C -15 ... +55
Storage temperature	°C -20 ... +70
Humidity	% 0 ... 100
Protection class	IP 68

## PROGRAMMING

IZAR RADIO COMPACT INDUCTIVE	
Optical Interface	IrDA
Alarms	Leakage, manipulation

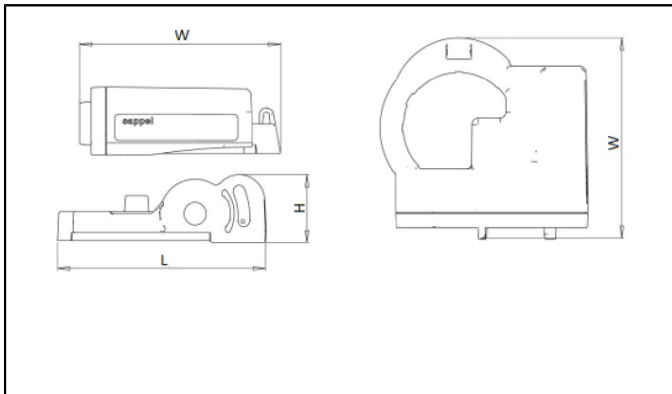
## COMPATIBILITY

IZAR RADIO COMPACT INDUCTIVE	
Meters	CORONA MCI, CORONA MWI, ALTAIR

# IZAR RADIO COMPACT INDUCTIVE

RADIO | RADIO MODULE

## DIMENSIONS



IZAR RADIO COMPACT INDUCTIVE			
Length	L	mm	100
Height	H	mm	33
Width	W	mm	100