

G2 misuratori

THE VALUE OF METERING



Made in ITALY

SMART READING

Mod. G2-RF-SLW
with **LoRaWan protocol** for fixed network and **LoRa** for Walk-by / Drive-by

868 Mhz Frequency
Protocols:
LORAWAN FOR FIXED NETWORK
LORA FOR WALK-BY - DRIVE BY
W-MBUS OMS FOR WALK-BY - DRIVE-BY

Mod. G2-RF-WMB
868Mhz
with **W-Mbus protocol** for Walk-by/Drive-by

Radio modules with 868 Mhz frequency, LoRaWAN-LoRa and W-Mbus OMS transmission protocols, with the possibility of simultaneously transmitting data from 1 or 2 counters, 2 sensors and activating a device such as a solenoid valve or LED.

Radio module Mod. G2-RF-SLW with certified LoRaWAN protocol for fixed network and LoRa for Walk-by/Drive-by
Radio module Mod. G2-RF-WMB frequency. 868 Mhz with W-Mbus OMS protocol for Walk-by/Drive-by

Inputs and outputs for both models:

- 2 digital channels for 2 counters with Inductive or Reed or Hall cable
- 2 analogue inputs for 2 sensors (e.g. temperature, level, pressure sensors)
- 2 digital outputs for 1 or 2 actuators (e.g. 1 solenoid valve or 2 leds)

Indoor and outdoor installation

Data security via multi-level encryption

Modification of configuration data possible remotely from landline and/or via radio terminal

Transmitted alarms: mechanical fraud (removal, cable cut), reverse flow, battery low

IP 67 module for indoors and IP 68 resined for outdoors

CE certified

SMART READING

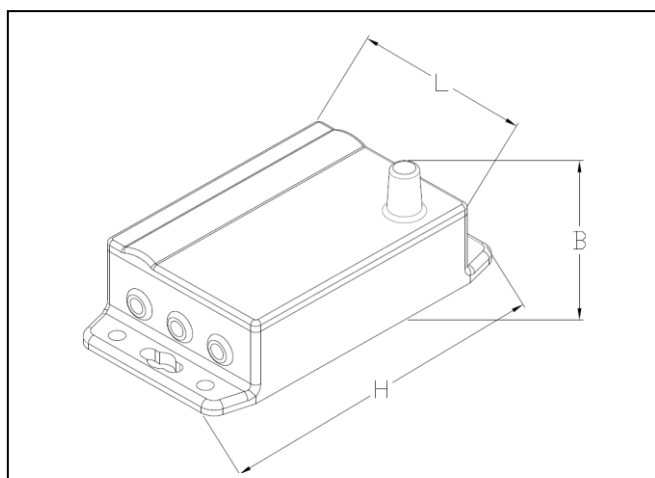


Technical specifications model G2-RF-SLW

LoRaWAN and Lora protocol specifications

Counter detection	Inductive sensor
Type	Microprocessor device
Battery life	10 years
Environmental operating conditions	-10 °C ... +55 °C
Radio transmission activation	Via actuator on instrument body
Storage temperature	-20 °C ... +60 °C
Degree of protection	IP 67
Certification	IP 68 resinated

	Fixed Network	Walk-by/Drive-by
Network type	Freq. 868 Mhz prot. LoRaWAN Freq. 868 Mhz prot. LoRa with proprietary protocol	Freq. 868 Mhz prot. LoRaWAN Freq. 868 Mhz prot. LoRa with proprietary protocol
Transmitted data	Sensor ID, consumption data, hardware status, battery level, alarms: mechanical fraud (removal), reverse flow, battery low, temperature on site on request	
Change configuration data	Possible from remote landline or via radio terminal Possible via radio terminal	Possible from remote landline or via radio terminal Possible via radio terminal
Flexibility	Automatically switches between the 2 settings according to programming	
Activation	OTAA-ABP /	-
Transmission interval	1 single reading daily and	1 single reading daily and
Transmission distance	2 daily history transmissions Configurable by day and time of week	2 daily history transmissions Configurable by day and time of week



Overall Dimensions	
Width L (mm)	60
Height B (mm)	43
Length H (mm)	113

Technical characteristics of Wireless OMS M-Bus protocol

	Walk-by/Drive-by
Network type	Freq. 868 Mhz W-MBus OMS compliant
Transmitted data	Sensor ID, consumption data, hardware status, battery level, alarms: mechanical fraud (removal), reverse flow, low battery, temperature on site on request
Change configuration data	Possible via radio terminal
Transmission distance	Up to 500mt in optimal conditions

Continuous development of our products may necessitate changes of details and pictures without prior notice – 05/20



G2 misuratori S.r.l. -
Via San Martino, 38 – 14100 ASTI (AT) – ITALY
Tel. +39. 0141.721787– Fax +39.0141.702280
E-mail: info@g2misuratori.it
[Http://www.g2misuratori.it](http://www.g2misuratori.it)



Filiale Centro-Sud
Via Fontanelle, 3 – 00020 RIOFREDDO (RM) – ITALY
Tel. e Fax +39.0774.920216
E-mail: centrosud@g2misuratori.it

AZIENDA CON
 SISTEMA DI GESTIONE
 CERTIFICATO DA DNV
 ISO 9001 • ISO 14001
 ISO 45001