

640C 640MC

Volumetric Meter - Composite Body with Electronic Register



Main characteristics

DN 15 to 20 and Coax, MAP 16, T50 (temperature range 0.1 to 50 °C)

Light and robust

Easy to handle

Meets current and anticipated regulations for potable water

Environmentally friendly

Unrivalled accuracy and measuring range

High resistance to impurities and aggressive water

Quiet operation

Ready for wireless communication with integrated radio functionality (available in different frequencies)

Long lasting battery life expectation inclusive of metrology and radio function

The register includes a lithium battery

Applications

The 640C/640MC is a high precision meter.

Due to its unique piston and measuring chamber design, the smallest drops of water are measured.

With the 640C/640MC you are assured of lasting metrology.

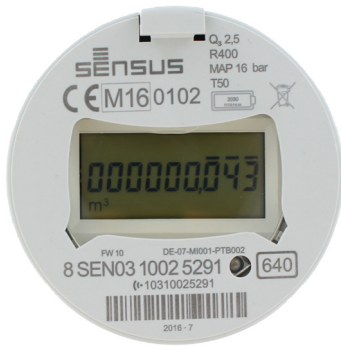
The 640C meter range includes an electronic register with integrated radio functionality which enables easy and fast communication.

Due to our broad range of system solutions you can adapt the 640C/640MC to all your AMR, AMI requirements.

The protection class of the electronic register of the 640C family is IP 68.

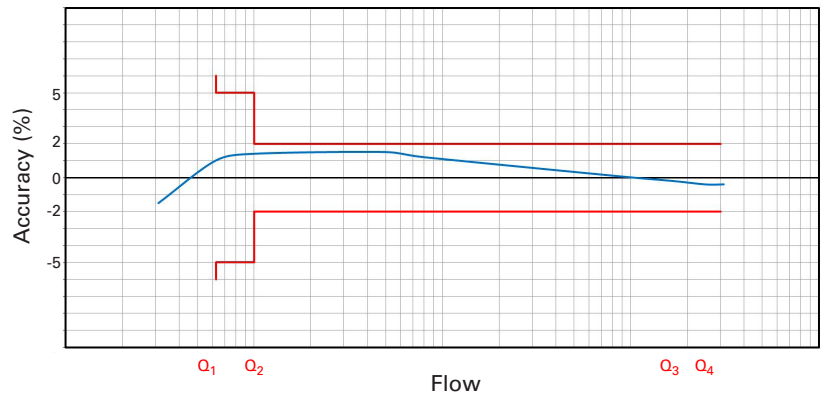
With a tamper proof design and its long life span you can be confident when selecting the 640C/640MC.

Typical Marking



Markings may vary depending on particular markets or metrological specifications.

Typical Accuracy Curve



Accuracy and Reliability

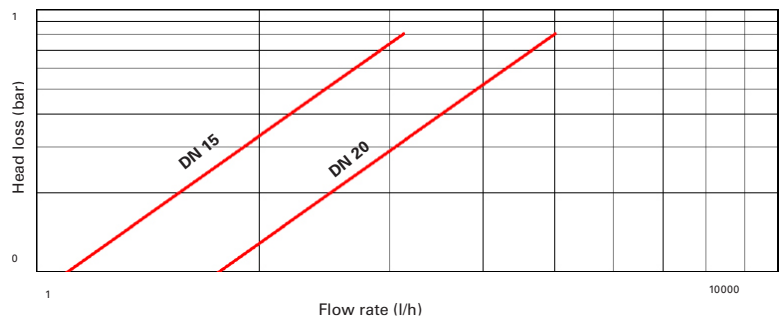
Thanks to the advanced design of its measuring chamber the meter has a low starting flow.

It can be supplied with metrological seal according to the MID regulation 2004/22/EC with a ratio up to R400.

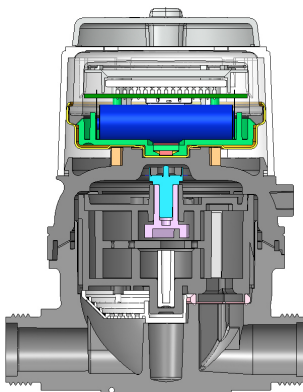
Foreign matter present in the water is filtered out by either the tubular strainer on the inlet or the seat strainer. All electronic components of the register are hermetically sealed and assembled in a glass copper casing which allow the protection class IP68.

The 640C/640MC water meter retains its metrological accuracy for many years of operation, even in difficult working conditions.

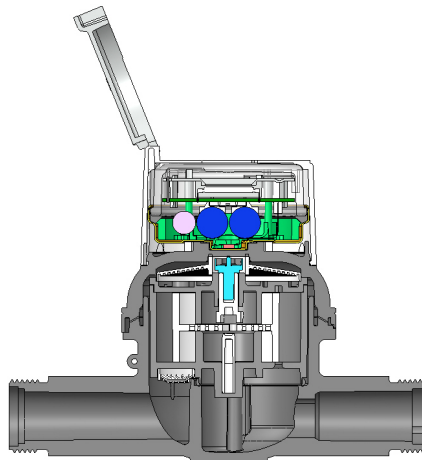
Typical Head Loss Curve



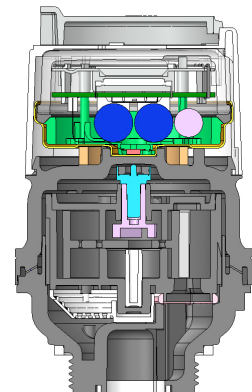
Cross Section



640C 110 mm



640C 190 mm



640MC

Approvals

EC type-examination certificate

in conformity with

- 2004/22/EC (MID) as well as 2014/32/EU (new MID)
- OIML R49:2013
- EN 14154:2005+A2:2011
- ISO 4064:2014

Q₃ 2,5 DE-07-MI001-PTB002

Q₃ 4 DE-09-MI001-PTB004

Certificate of compliance for potable drinking water

KTW/DVGW (D) ACS (F)



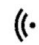

WRAS (UK) Hydrocheck (B)

KIWA ATA (NL)

Legibility

The display with 9 digits (6 for m³, 3 for litres) ensures exceptional readability. The highest resolution in testing mode is 0.05 litres.

Icons are also displayed on the LCD to indicate important information have been registered:

-  Alarm is triggered
-  Low battery level is reached
-  Radio is activated
-  System is set up in hydraulic testing mode

⊕⊖ indicates positive or negative flow

m³ indicates the unit programmed in use

Performance Data

Metrological characteristics in accordance with Measuring Instruments Directive

			Coaxial Manifold	Inline	
Nominal Size	DN	mm	#	15	20
Permanent flowrate	Q ₃	m ³ /h	2.5	2.5	4
Ratio "R"	Q ₃ /Q ₁	R	40 / 80 / 160 / 315 / 400		
Maximum flowrate ⁽¹⁾	Q ₄	m ³ /h	3.125	3.125	5.0
Minimum flowrate ⁽¹⁾ (tolerance ±5%)	Q ₁	l/h	6.25	6.25	10.0
Transitional flowrate ⁽¹⁾ (tolerance ±2%)	Q ₂	l/h	10.0	10.0	16.0

⁽¹⁾ Values for R=400

Dimensions and Weights

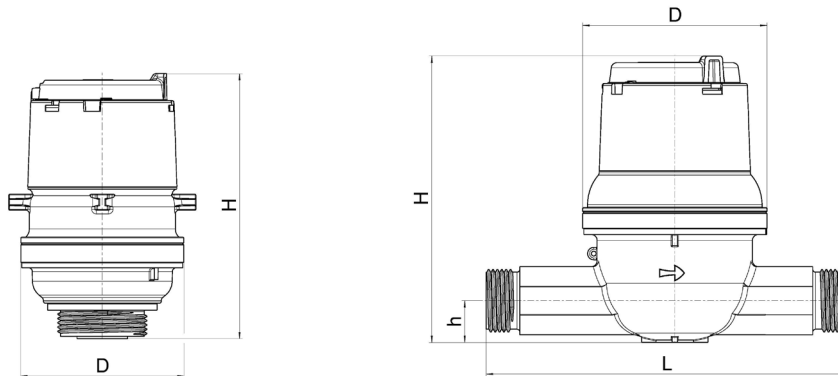
			Coaxial Manifold	Inline	
Nominal Size	DN	mm	#	15	20
Length	L	mm		170 ⁽¹⁾	190 ⁽³⁾
Width	D	mm	87	87	97.2
Total height	H	mm	140.3	142.6	149
Height to pipe axis	h	mm		18.95	21.5
Tail	Diameter	inch	G 1½" B	G ¾" B ⁽²⁾	G 1" B
Piece		mm	47.8	26.44	33.25
Thread	Pitch		2.31	1.81	2.31
Weight		kg	0.5	0.6	0.68

⁽¹⁾ Also available in length 110/115/134 and 165 mm

⁽²⁾ Also available in length 165 and 190 mm with 1" threads

⁽³⁾ Also available in length 165 and 220 mm

Dimensional Diagram



For the installation guidelines please refer to our website and the manual MD 1670 INT.

640C/640MC infrastructure

The 640C product range has SensusRF integrated technology providing the advantages of both uni- and bidirectional system architecture as described below. SensusRF is the optimized license free radio system for battery driven endpoints and repeaters. Scalable for mobile and remote reading without exchange of components, it is available in 433 MHz and 868 MHz.

OMS® compatible.

SensusRF offers two communication modes

1. Fixed Radio Network

- Auto configuration wizard (gateway sniffing for endpoints and repeaters)
- Integrating repeaters (up to 7 hops in a chain)
- Self-healing network (using alternative routes)
- Meter reading transparent and local
- Fast track alarms
- DMA snap shot (snap shot of a water network for evaluation)
- TCP/IP technology for the WAN communication
- High level of data security (end-to-end encryption)
- Enables cloud technologies, FTP and other remote database applications

2. Mobile read - Walk-by / Drive-by

- Unidirectional telegrams
- Bidirectional communication
- Spontaneous reception possible without route
- Configuration of the endpoint

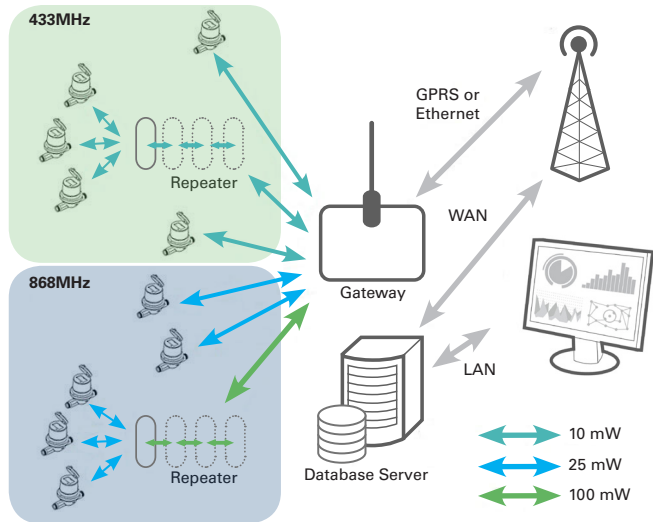
SIRT (Sensus Interface Radio Tool)

SIRT is a radio modem for SensusRF radio, connected to a handheld via Bluetooth and using SensusREAD Mobile Reading software with the following features:

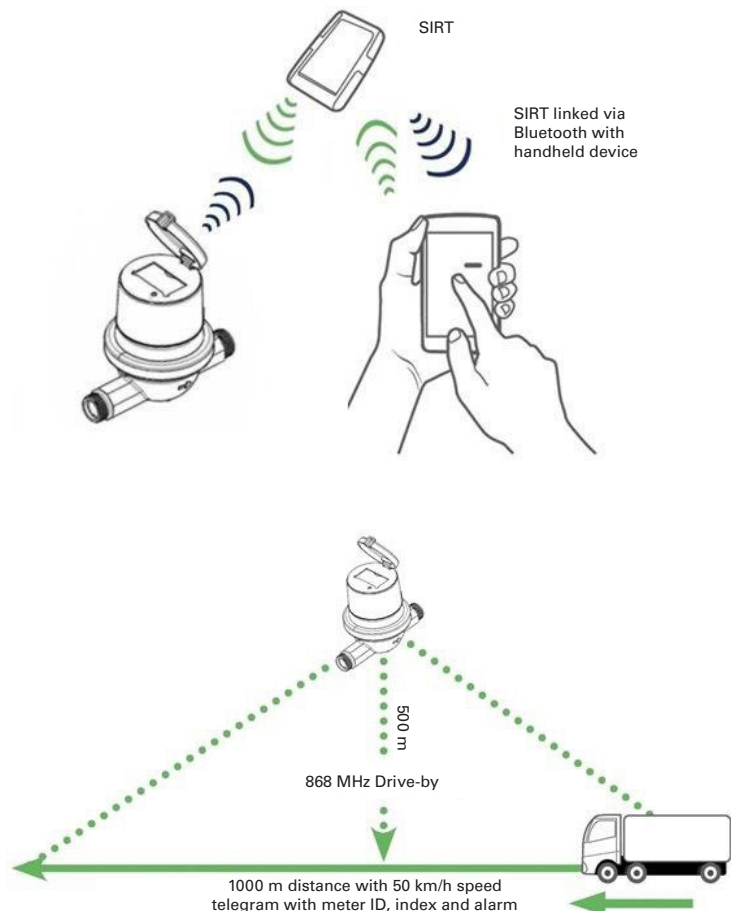
- Installation and readout of devices
- Reception of frequently transmitted radio messages from Sensus RF radio endpoints
- Request additional information from the radio endpoints
- Change configuration of radio endpoints (alarm, level settings...)

For further information please refer to the SensusRF brochure.

640C/640MC Fixed radio network - Remote Access & Monitoring



Unidirectional/Bidirectional communication



qualityaustria
Succeed with Quality

Certified according to ISO 9001
Quality Management System Quality Austria Reg.no. 3496/0

UK & Ireland Enquiries

Sensus UK Systems Ltd, 3 Lindenwood Crockford Lane, Chineham Business Park
Basingstoke RG24 8QY UK
T: +44 (0) 1794 526100 F: +44 (0) 1794 526101 Email: info.gb@sensus.com www.sensus.com

International Enquiries

Sensus GmbH Ludwigshafen, Industriestrasse 16, 67063 Ludwigshafen Germany
T: +49 (0) 621-6904-0 F: +49 (0) 621-6904-1409 Email: info.int@sensus.com www.sensus.com

